

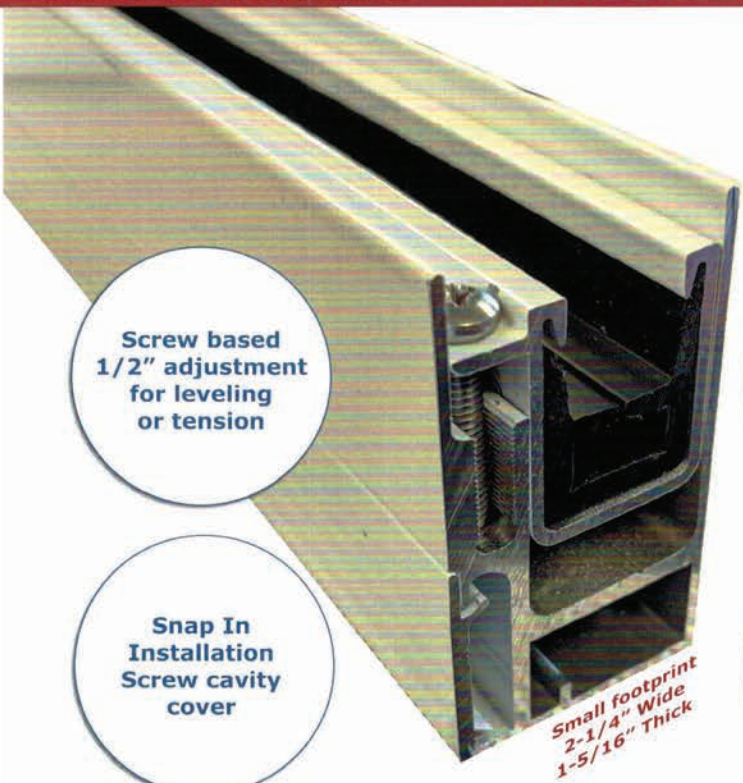
**All new complete
RAIL SYSTEM**

Renewed Shading & Privacy Screen System

with **Zip Tex^{PRO}**
Retractable Screens
built for

PROS

- RECESS MOUNT
- TRAPPED MOUNT
- PRE-CONSTRUCTION
- SURFACE MOUNT
- LEVEL ADJUSTABLE
- TENSION ADJUSTABLE
- END CAP PIN ALIGNMENT
- UP TO 20 FT TALL
- WIND TESTED @ ACCREDITED LAB



Screw based
1/2" adjustment
for leveling
or tension

Snap In
Installation
Screw cavity
cover

Rubber finned
zipper tension
channel
for wind load
WIND TESTED

Housing alignment
pin system
ensuring precise
zipper insertion

*Small footprint
2-1/4" Wide
1-5/16" Thick*



- 4.5" HOUSING SIZE
- 45° FRONT COVER, CLEANER LOOK
- 100% ALUMINUM ENDCAPS, NOT CAST
- .09" THICK HOUSING, LESS DAMAGE
- INTEGRATED BRUSHES, SEALED OFF
- SCREW ON ENDCAPS, STRONGER
- INTERNAL ALUMINUM PLATES, NOT GALVANIZED
- SPAN 19 FT WITH 4.5" HOUSING
- SPAN 23 FT WITH 6.0" HOUSING

Framing color options



Strong system Strong fabric!

Zip Tex PRO

Base Solar & Privacy

TEXTILENE
BRAND FABRIC
nano 95



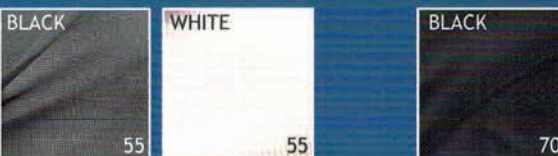
Better Solar & Privacy

TEXTILENE
BRAND FABRIC
nano 97
TWILL



Base Insect 55 & Best insect 70, and base privacy

TEXTILENE
BRAND FABRIC
nano 55/70



Easy Installation | side rails & Housing assembly

