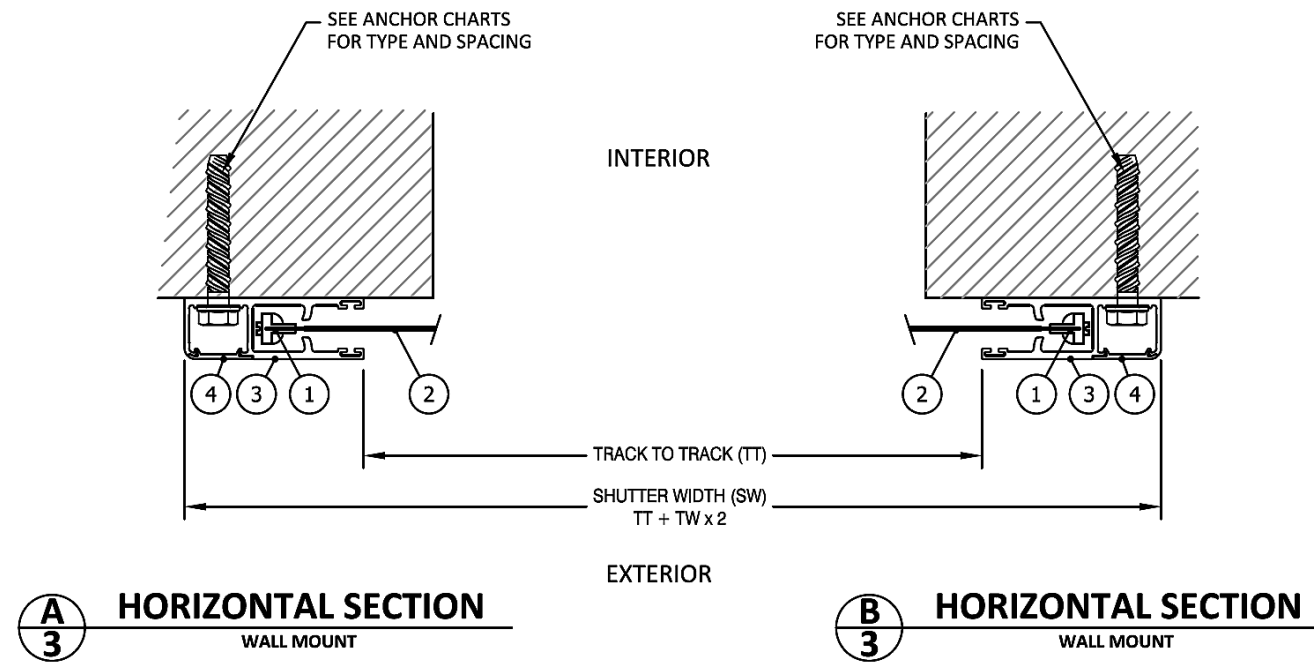
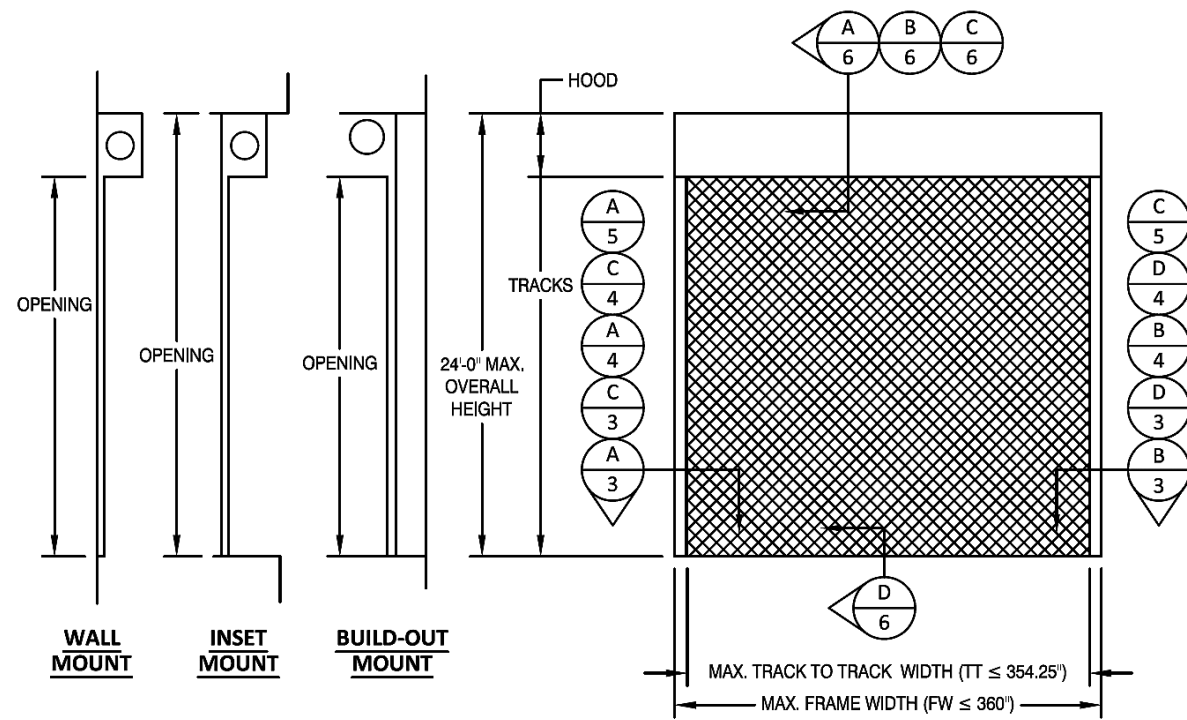
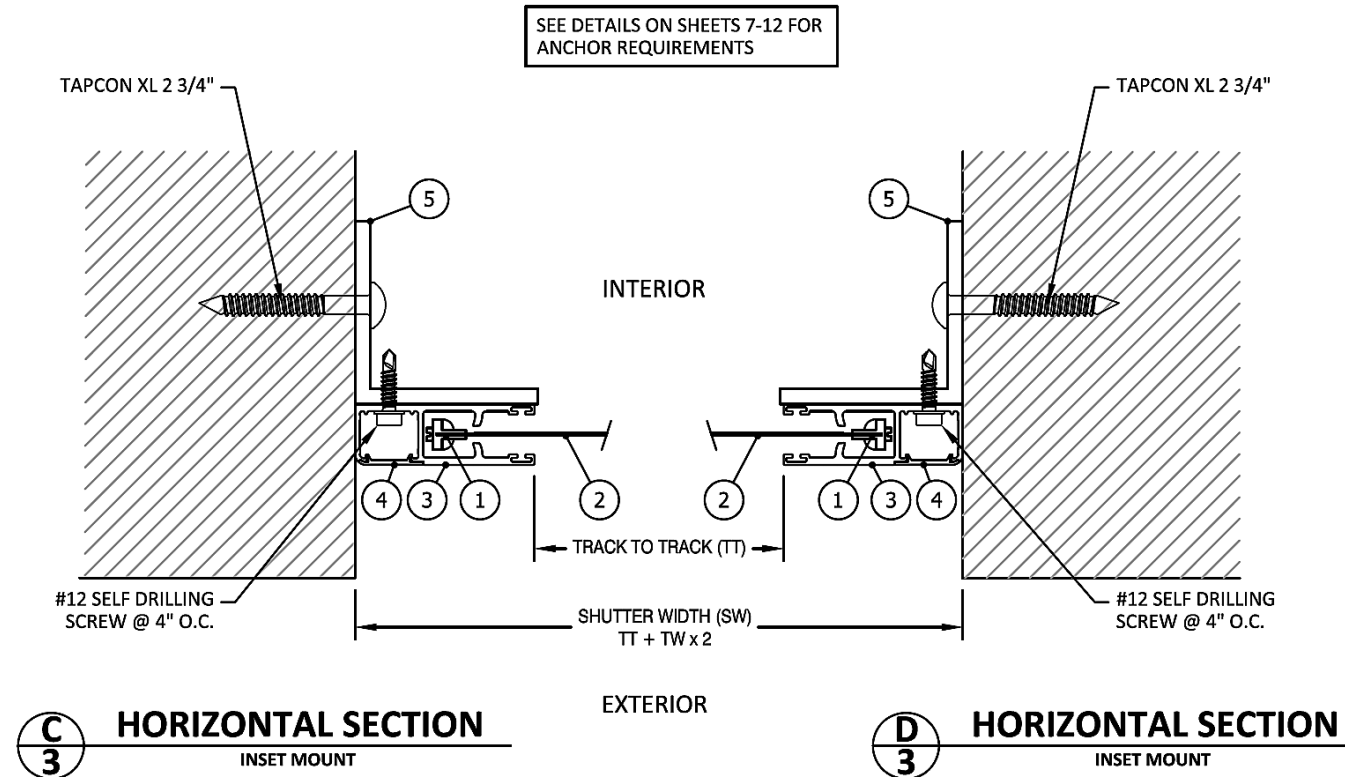


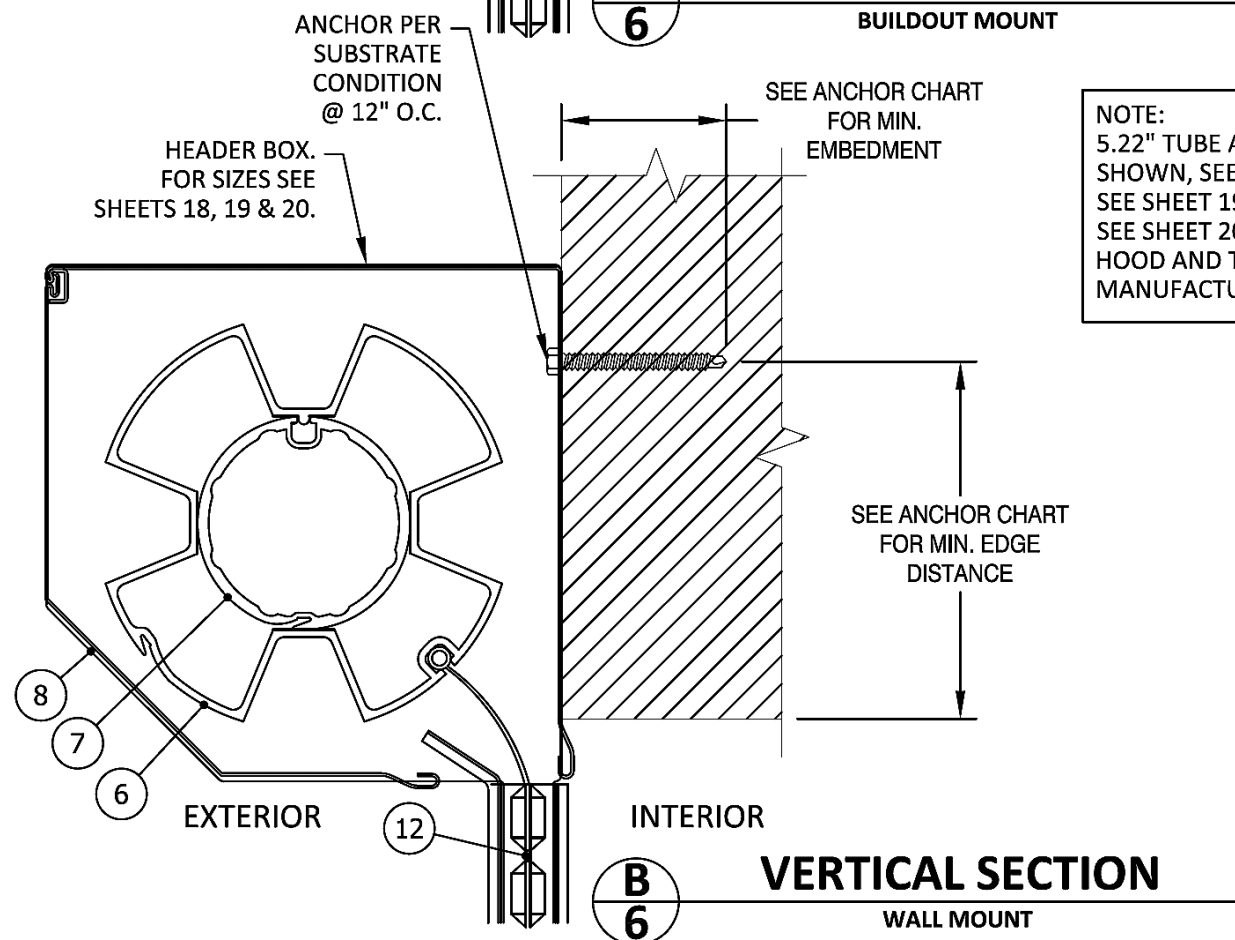
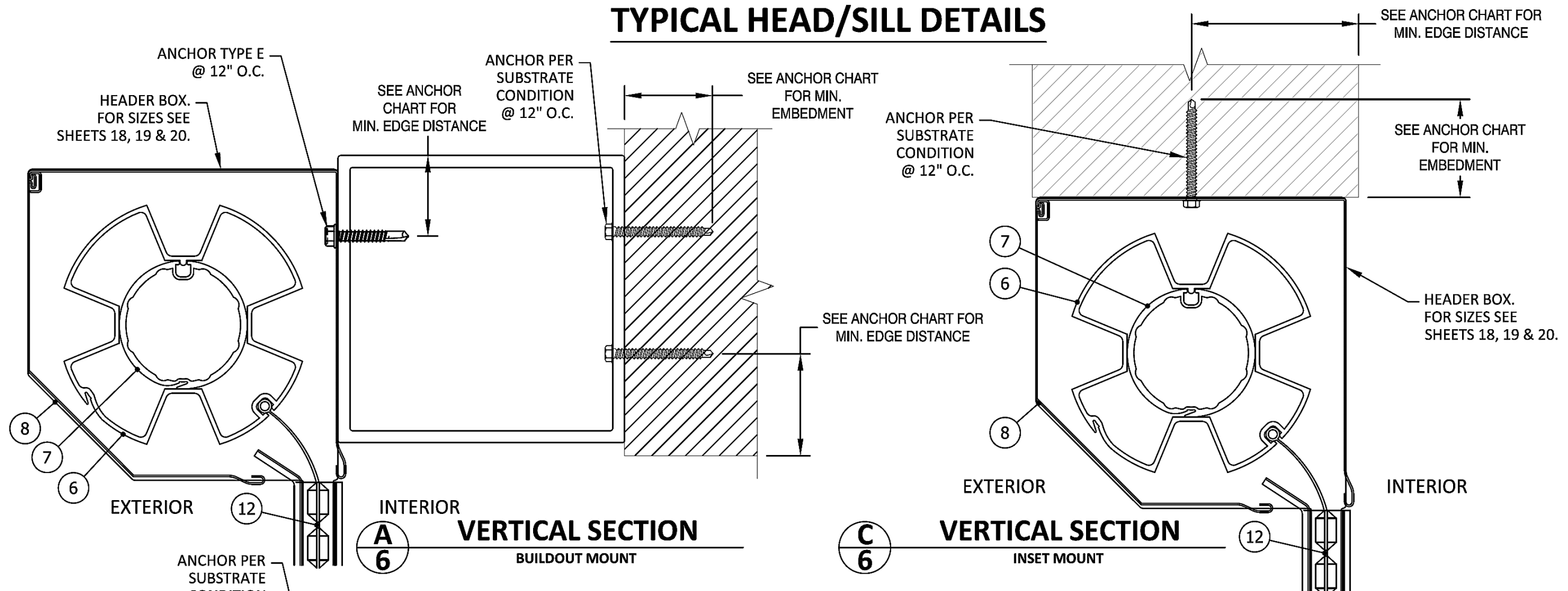
# TYPICAL SINGLE UNIT ELEVATION WALL AND INSET MOUNT DETAILS



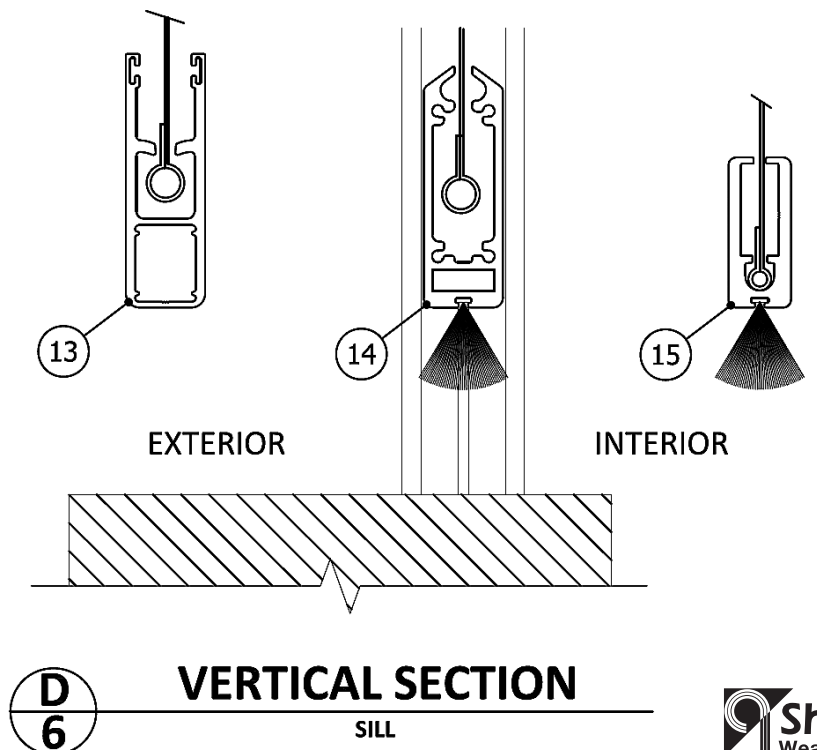
COMBINATION MOUNTED:  
WALL, INSET, AND BUILD-OUT  
MOUNTS CAN BE INSTALLED BY MIXING  
ANY POSSIBLE COMBINATIONS



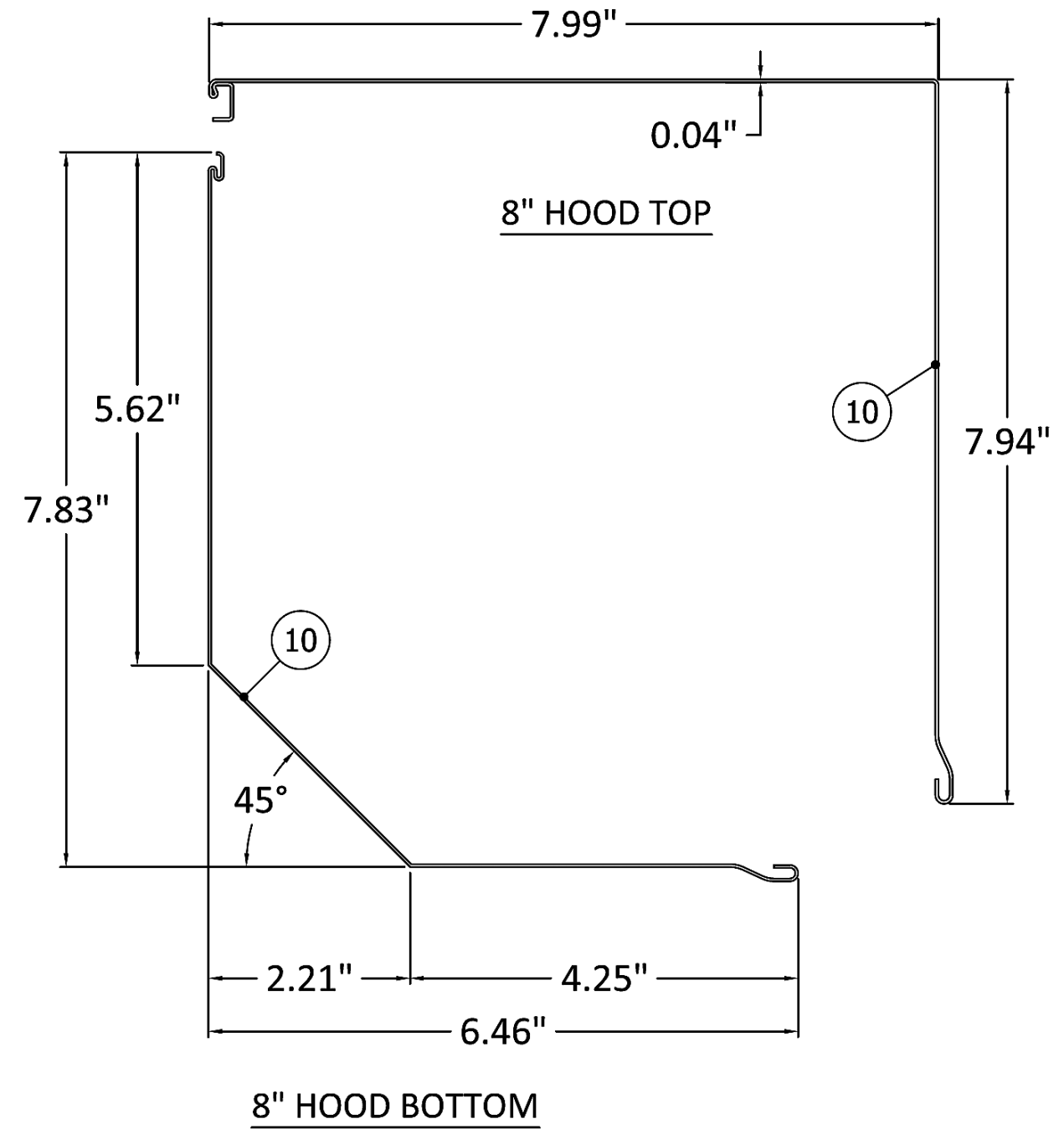
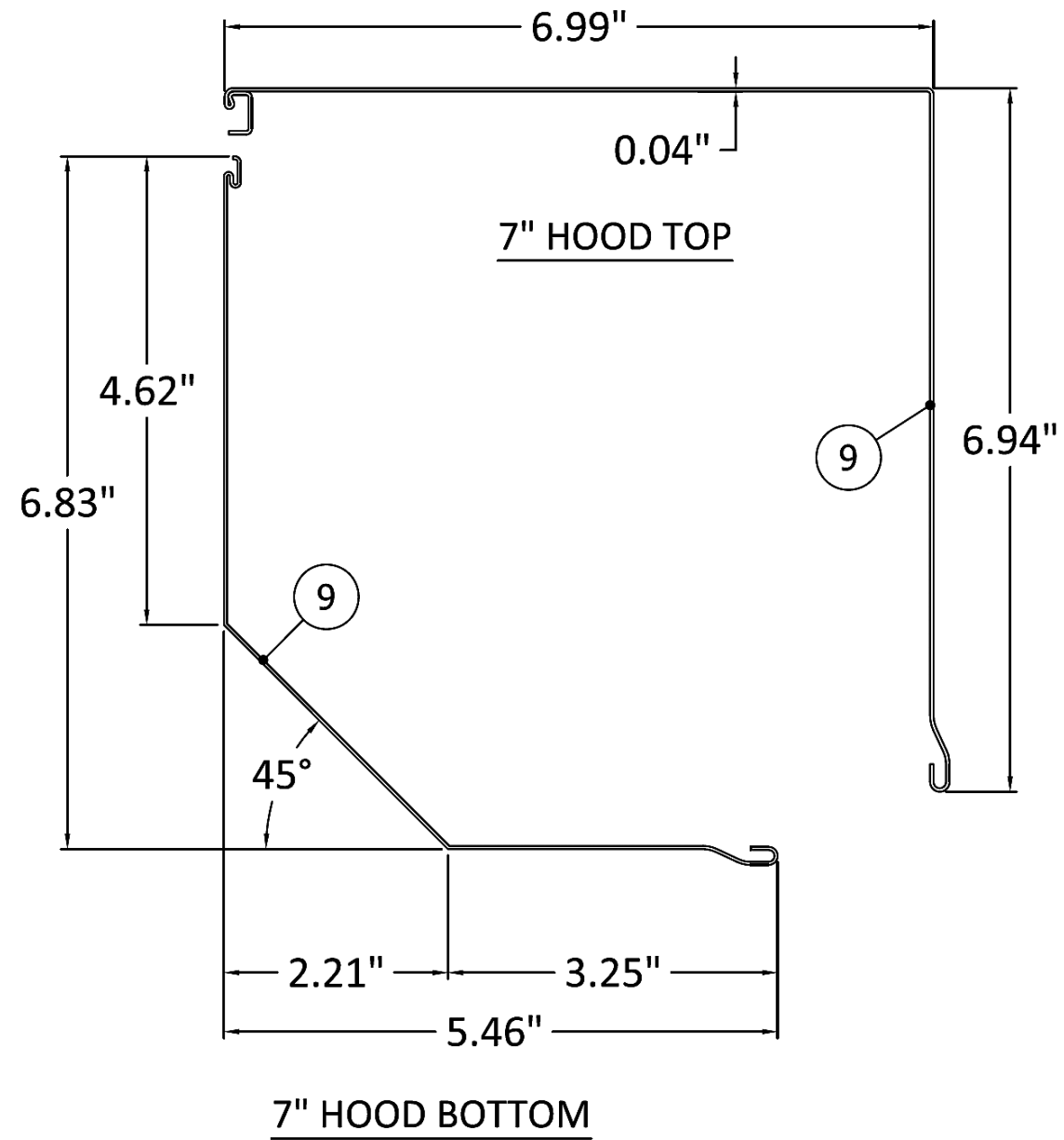
# TYPICAL HEAD/SILL DETAILS



**NOTE:**  
 5.22" TUBE AND 6.49" HOOD ASSEMBLY SHOWN, SEE SHEET 18 FOR MORE DETAILS.  
 SEE SHEET 19 FOR 7" & 8" HOOD COMPONENTS.  
 SEE SHEET 20 FOR 9" HOOD COMPONENTS.  
 HOOD AND TUBE SHALL FOLLOW MANUFACTURERS SPECIFICATIONS.



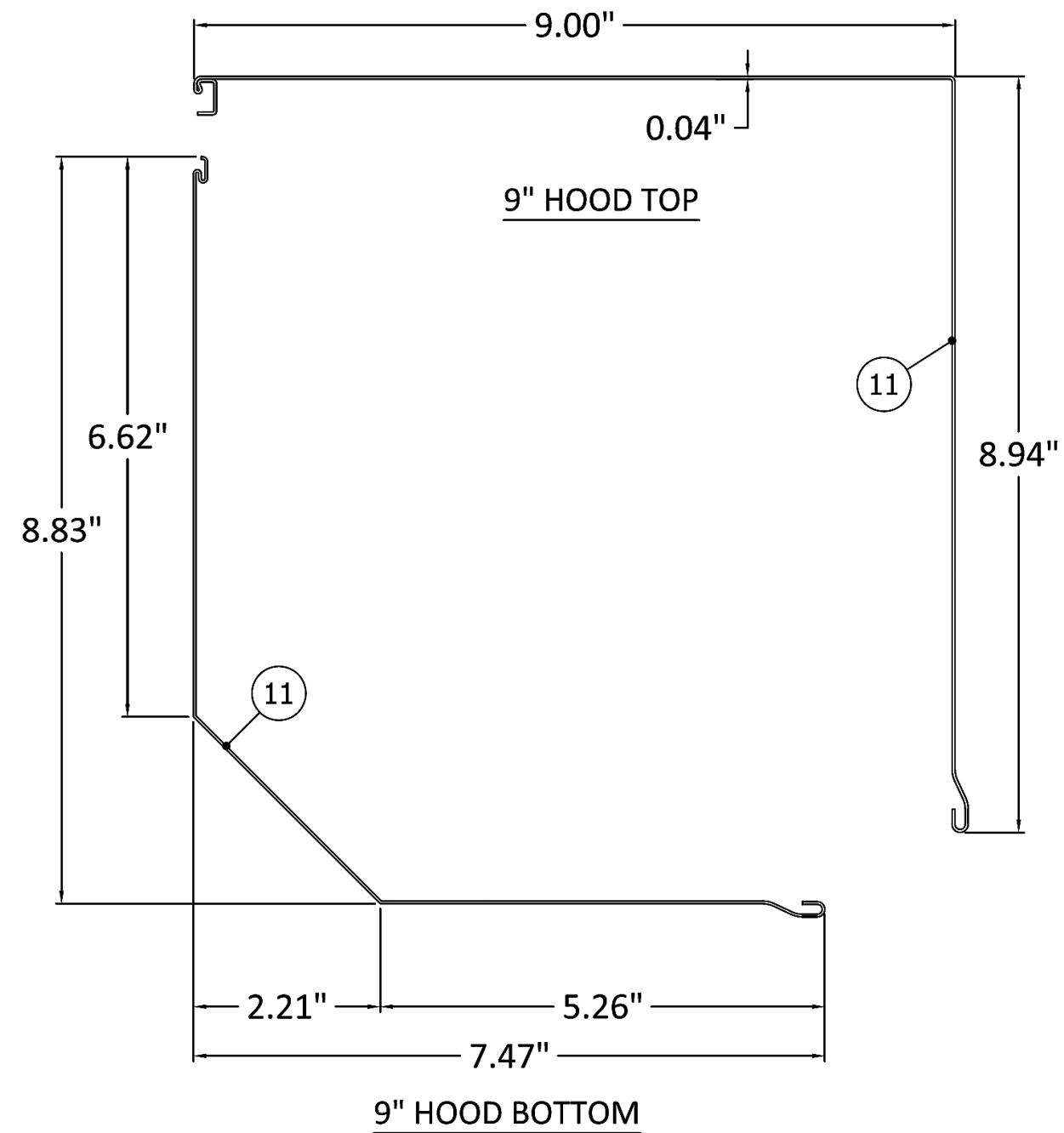
## 7" AND 8" HOOD DETAILS



**NOTE:**

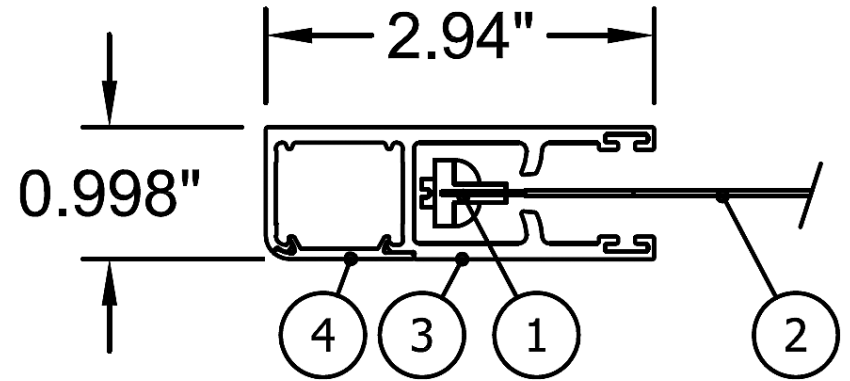
1. 7" & 8" HEADER COVERS WORK WITH 5 1/4" TUBE AND 60 MM INNER AXEL.

## 9" HOOD DETAILS

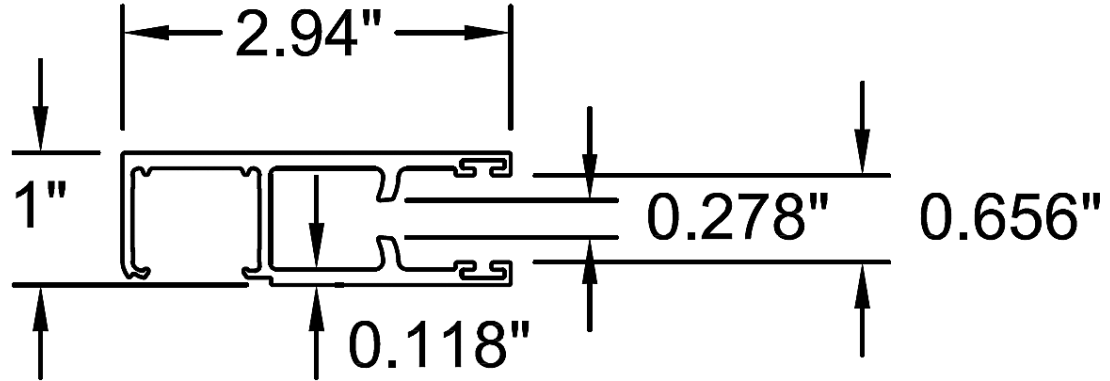


**NOTE:**

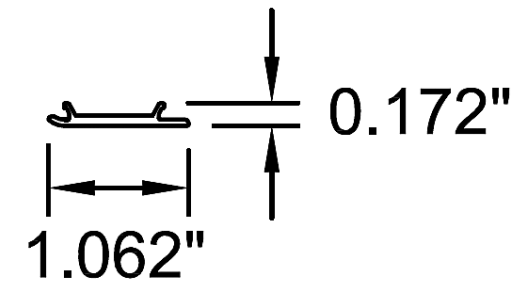
1. 9" HEADER COVERS WORK WITH 5 1/4" TUBE AND 60 MM INNER AXEL.



**A** WALL MOUNT AND INSET MOUNT



**3** SIDE RAIL



**4** SNAP IN SCREW COVER