

CABLE SERIES 5

SPECIFICATION DATA SHEET

Application Data

- o Interior/Exterior Use
- o Maximum: 18' (w) X 16' (h)
- o Low Wind Application
- o Solar Protection, Weather Or Privacy
- o Window, Patio and Balcony
- o Advertising Display

Fabrication Data

- o Registered ISO 9000/9001
- o Extruded Aluminum
- o Nylon Components
- o Powder Coat Finish
- o 4-1/16" Roller Tube
- o Stainless Steel Fasteners

Standard Features

- o Extruded Aluminum Components
- o Stainless Steel Cable Retaining System
- o Built In Dual Screen Cleaning System
- o Powder Coated Aluminum End Caps
- o Motorized
- o Floor or Wall Tension Device
- o Proprietary I Tube™ Roller Tube

Optional Features

- o Manual Gear Hand Crank
- o Motorized Electronics
- o Custom Colors For All Metal Parts

Electrical Data

- o AC Motor Specifications: 120 VAC/60HZ
- o 2 to 3 Amps
- o FCC Approved And TUV Listed
- o Somfy Altus RTS 535A2
- o Home Automation Interface Available

Screen Options

- o Twitchell Solar Screen
- o Rainier Solar Screen
- o Serge Ferrari Soltis
- o Acrylic

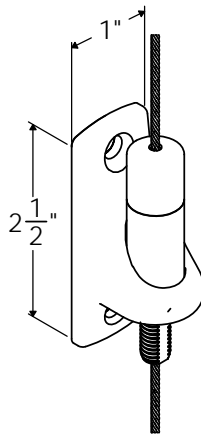
Optional Graphics

- o Custom Prints
- o 1 Or 2 Sides - Mesh Or Solid Fabric

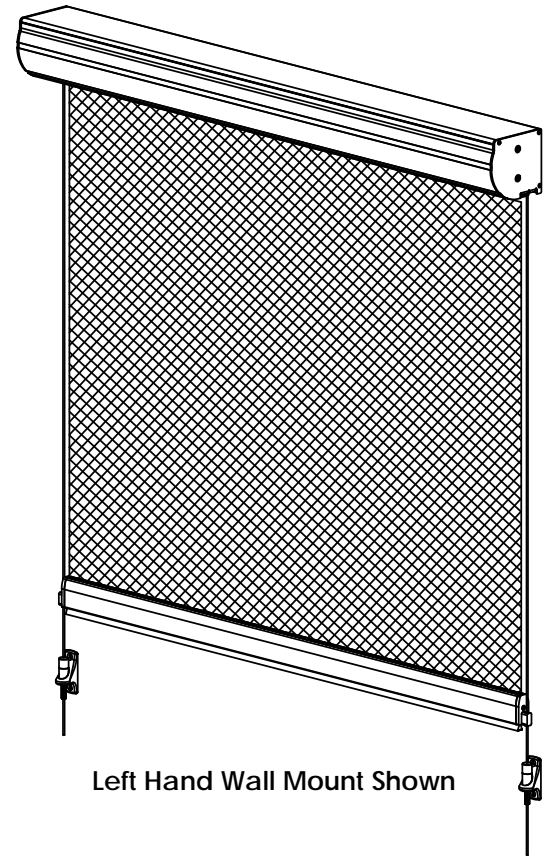
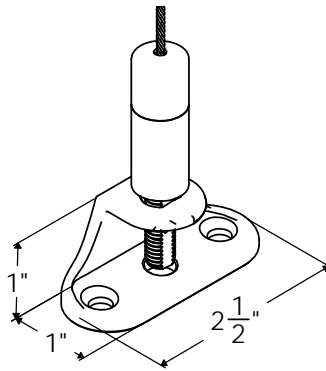
Standard Hardware Colors:

- | | | |
|---------------|----------------|----------|
| o Black | o Green | o Silver |
| o Bronze | o Navajo | |
| o Brown | o Tan | |
| o Desert Sand | o Off White | |
| o Gray | o Bright White | |

WALL MOUNT BRACKET

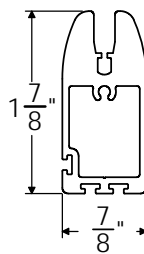


FLOOR MOUNT BRACKET

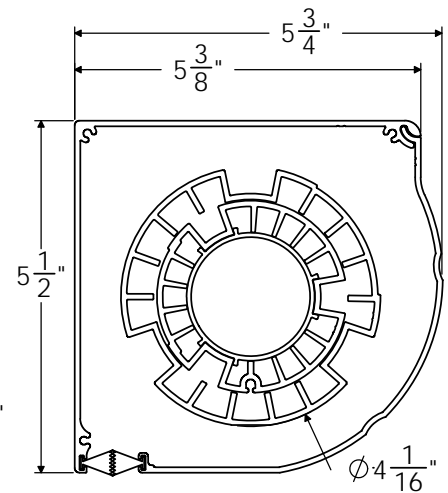
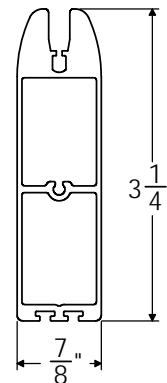


Left Hand Wall Mount Shown

Hem Bar



Tall Hem Bar



Cable Series 5 Housing

Special Notes:

This product is designed for low wind applications only. It must be retracted when the wind force begins to raise the screen on the cable retentions, otherwise damage could occur. Fabric seams will always run horizontally. The standard is to place them "AS HIGH AS POSSIBLE" and this will be done unless otherwise specified. The alternative option is to state "AS LOW AS POSSIBLE". Custom placement of seams is available for a fee, which is listed on the price sheet. Seam placement is from the bottom of the hem bar up to the seam.